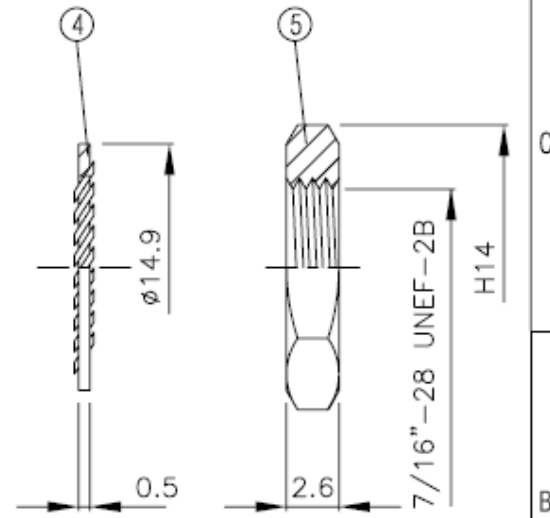
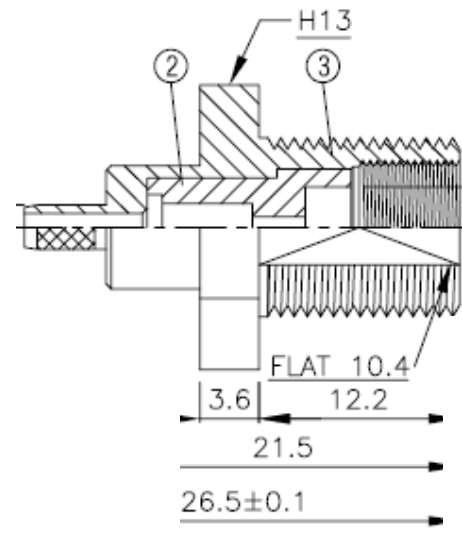
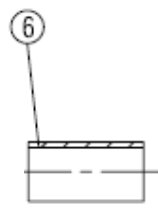
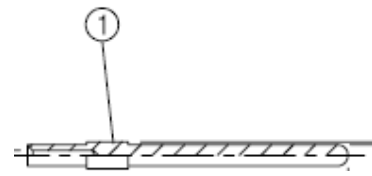
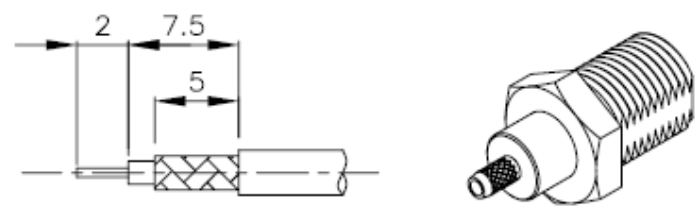


NO	DESCRIPTION	MATERIAL	Q'TY	FINISH	REMOEK
1	PIN	BRASS	1	GOLD	P-FME0004-G
2	INSULATION	TEFLON	1	TEFLON	I-0090T
3	BODY	BRASS	1	NICKEL	B-FME0258-N
4	WASHER	BRASS	1	NICKEL	W-0028-N
5	NUT	BRASS	1	NICKEL	N-0017-N
6	RING	BRASS	1	NICKEL	R-0001-N



www.midtkom.dk

FME male crimp RG316U & RG174U

Part nr. 13400

DRAWN	MARY	DATE	91.02.25
CHECKED	黃巧君	DATE	91.02.25
Q.A.	蘇姿潔	DATE	
APPROVAL	徐燦霖	DATE	
REVISION		DATE	

DIMENSIONS ARE IN MILLIMETERS			
UNLESS OTHERWISE SPECIFIED TOLERANCE			
0.5-5=±0.2	120-315=±1		
5-30= ±0.4	315-1000=±1.6		
30-120±0.6	1000-2000=±2.4		
SCALE	4:1	SIZE	A

REVISION	
DESCRIPTION	ENGINEER