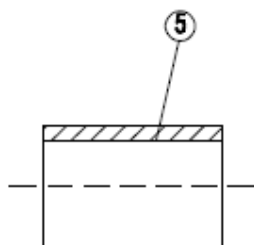
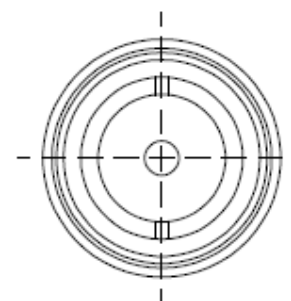
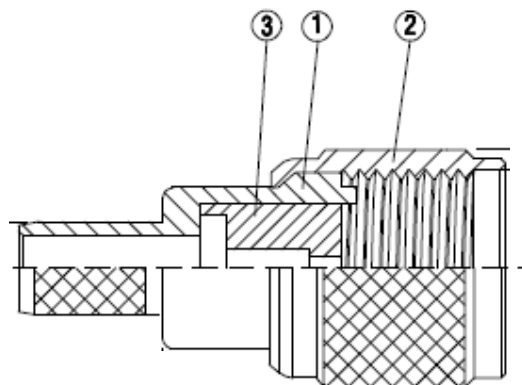
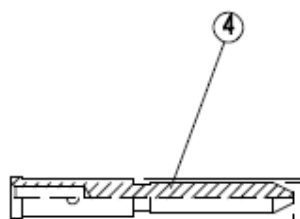
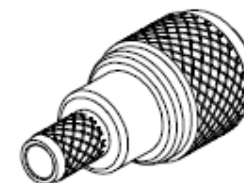
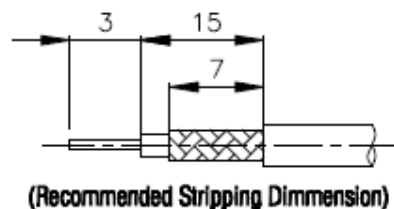


NO	DESCRIPTION	MATERIAL	Q'TY	FINISH
1	BODY	BRASS	1	NICKEL
2	SHELL	BRASS	1	NICKEL
3	INSULATION	DELRIN	1	DELRIN
4	PIN	BRASS	1	GOLD
5	RING	BRASS	NICKEL	



www.midtkom.dk
 MINI UHF male crimp RG58U
 Part nr. 23520

DRAWN	MARY	DATE	81.05.23
CHECKED	黃巧君	DATE	81.05.23
Q.A.	蘇姿潔	DATE	
APPROVAL	徐康霖	DATE	
REVISION		DATE	

DIMENSIONS ARE IN MILLIMETERS			
UNLESS OTHERWISE SPECIFIED TOLERANCE			
0.5-5=±0.2	120-315=±1		
5-30=±0.4	315-1000=±1.6		
30-120=±0.6	1000-2000=±2.4		
SCALE	4:1	SIZE	A

REVISION	
DESCRIPTION	ENGINEER