

INSTRUCTION

THE DX-CN200/400 and DX-CN600 POWER&SWR meter is the most efficient tool in wide range of semi-professional Measuring And control instruments. the measured values can be easily read in the large scale instruments.

The DX-CN200/400 and DX-CN600 is an insertion type RF wattmeter and can be permanently fitted into a transmission System for

continuous monitoring of station working condition .

The unit can be work without external power supply . but with 13.8DC power which permits to light up the Meter and shows the active led corresponding to the selected RF coaxial line (for DX-CN600 only)

DESCRIPTION OF CONTROL

- 1 POWER/SWR reading meter
- 2 Indicator adjustment
- 3 Power range switch
- 4 Function switch (lamp on/off , peak/average power)
- 5 led sensor 1
- 6 led sensor 2
- 10 sensor1/sensor2 switch

REMARK :FIG1/FIG2 FOR DX-CN200/400

FIG3/FIG4 FOR DX-CN600 .

5, 8 Antenna connector(connect to the antenna with 50 ohm coaxial cable)

6, 9 TX connector (connect to the radio with 50 ohm coaxial cable)

7 Power jack (13.8VDC) light up the meter and sensor 1 / sensor 2 led

FIG1

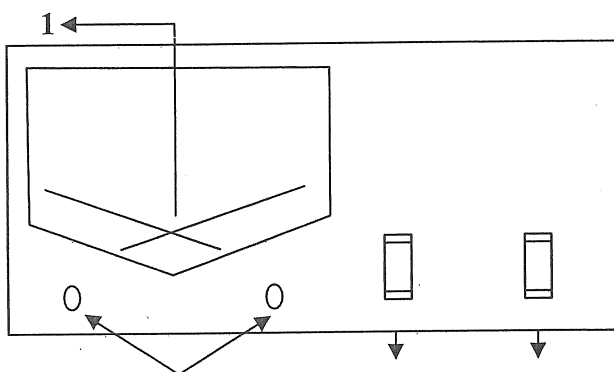


FIG2

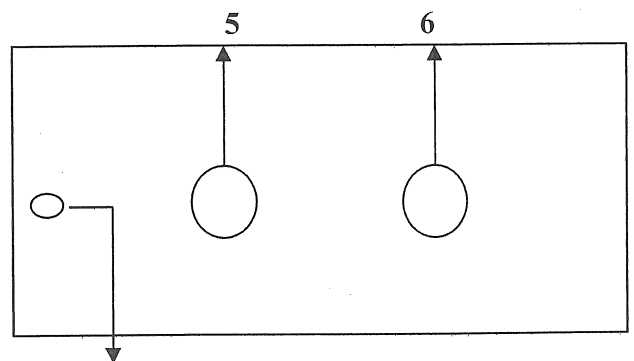


FIG3

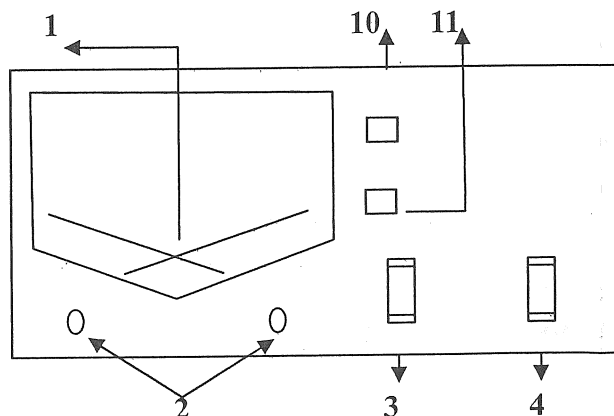


FIG4

