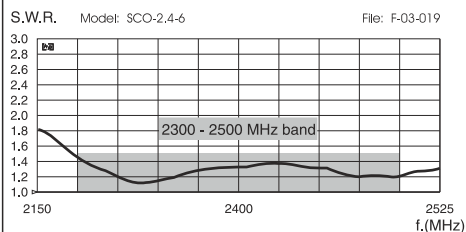


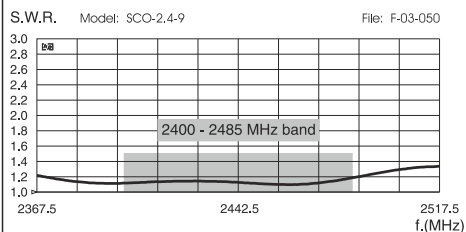
SCO-2.4-6

TYPICAL S.W.R. RESPONSE



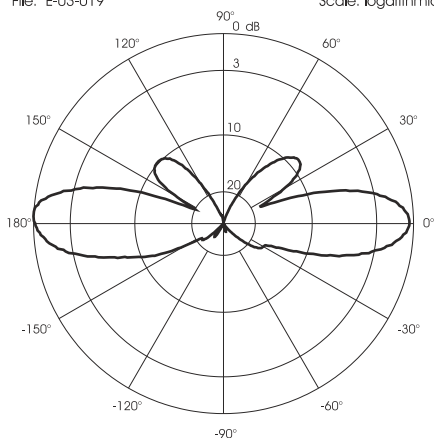
SCO-2.4-9

TYPICAL S.W.R. RESPONSE



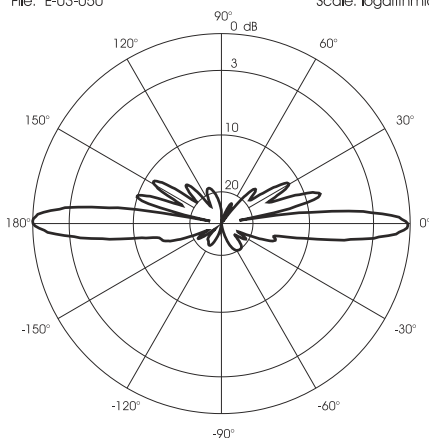
TYPICAL RADIATION PATTERN IN E-plane at 2442.5 MHz

File: E-03-019 Scale: logarithmic

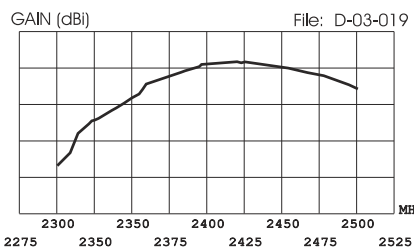


TYPICAL RADIATION PATTERN IN E-PLANE at 2442.5 MHz

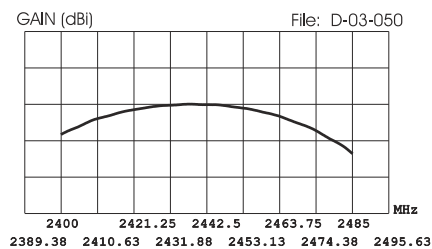
File: E-03-050 Scale: logarithmic



TYPICAL GAIN DIAGRAM vs FREQUENCY



TYPICAL GAIN DIAGRAM vs FREQUENCY



OMNI W-LAN

SCO-2.4-6 SCO-2.4-9

UHF Base Station Antenna 2400 - 2485 MHz



SCO-2.4-6



SCO-2.4-9



HI-QUALITY ANTENNAS MADE IN ITALY

DESCRIPTION

Base station antenna working on 2.3-2.5 GHz conceived for W-LAN system. The radiant element is made of PTFE PCB to guarantee high power and low losses and it is protected by a fiberglass tube. It's supplied with an aluminium bracket for an easy installation on the mast.

SPECIFICATIONS

Electrical Data

Type	: Collinear Dipole Array
Frequency Range	: SCO-2.4-6 2300-2500 MHz SCO-2.4-9 2400-2485 MHz
Impedance	: 50 Ω
Polarization	: Linear Vertical
Max Gain	: SCO-2.4-6 6 dBi SCO-2.4-9 9 dBi
3 dB Beamwidth Vertical	: SCO-2.4-6 22° @ 2442.5 MHz SCO-2.4-9 10° @ 2442.5 MHz
Beamwidth Horizontal	: 360° omnidirectional
Downtilt	: 0°
SWR in Bandwidth	: \leq 1.5
Max Power	: 20 Watts (CW) @ 30° C
Grounding Protection	: All metal parts are DC-grounded, the inner conductor shows a DC-short
Connector type	: N-female, gold plated central pin

Mechanical Data

Housing Materials	: Aluminium, Stainless Steel, Chromed Brass
Radome Material	: White Fiberglass
Wind Load / Resistance	: 19N @ 150 Km/h / 200 Km/h
Wind Surface	: 0.015 m ²
Height (approx.)	: SCO-2.4-6 325 mm SCO-2.4-9 630 mm
Weight (approx.)	: SCO-2.4-6 350 gr SCO-2.4-9 415 gr
Operating Temperature	: -40° C to 80° C
Mounting Mast	: \varnothing 35-54 mm

MOUNTING INSTRUCTIONS

Fixing bracket:



Fixing bracket part list

Q.ty	Description
1	Extruded aluminium bracket
1	M6x188 V-bolt
1	M6x20 Exagonal head screw
3	M6 Spring lock washer
3	M6 Hexagonal nut
Materials:	extruded aluminum
Hardware:	stainless steel
Dimensions:	80 x 76 x 25 mm
Weight:	110 g
Re-order code: SA161	

