

## PRO-TAP 150-2700-...

### Multiband PowerTapper 150-2700 MHz

#### DESCRIPTION

- Excellent high-power performance.
- Very low insertion loss over the entire frequency range.
- Power tappers are frequently used in distributed antenna systems in buildings or tunnels. Tappers operate similarly to directional couplers, but without the directivity (no isolation between output port and coupled port) and have relatively broad bandwidths.
- 500 W power tapper with 4.8 to 30 dB coupling covering the 150 - 2700 MHz.
- Taps off a portion of the signal from the main line.
- PROCOM tappers are symmetrical around the main line. Meaning that you will have the same good SWR from both sides of the main line.



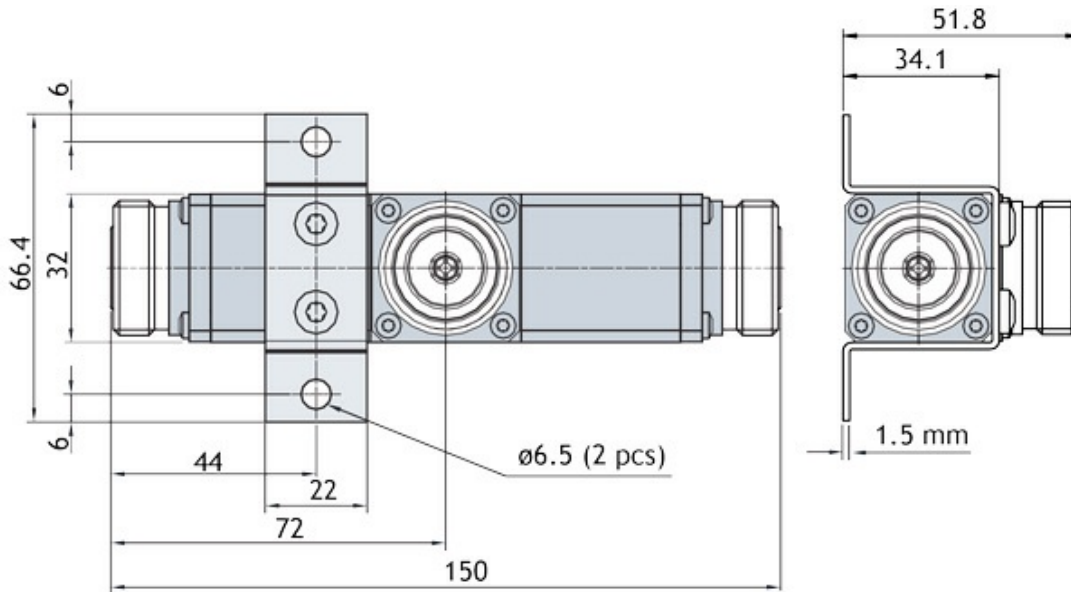
#### ORDERING DESIGNATIONS

TYPE	COUPLING	PRODUCT NO.
PRO-TAP 150-2700-4.8 dB-N(f)	4.8 dB	200002374
PRO-TAP 150-2700-6 dB-N(f)	6 dB	200002316
PRO-TAP 150-2700-8 dB-N(f)	8 dB	200002448
PRO-TAP 150-2700-10 dB-N(f)	10 dB	200002317
PRO-TAP 150-2700-15 dB-N(f)	15 dB	200002450
PRO-TAP 150-2700-20 dB-N(f)	20 dB	200002318
PRO-TAP 150-2700-30 dB-N(f)	30 dB	200002456
PRO-TAP 150-2700-4.8 dB-7/16(f)	4.8 dB	200002447
PRO-TAP 150-2700-6 dB-7/16(f)	6 dB	200002319
PRO-TAP 150-2700-8 dB-7/16(f)	8 dB	200002449
PRO-TAP 150-2700-10 dB-7/16(f)	10 dB	200002320
PRO-TAP 150-2700-15 dB-7/16(f)	15 dB	200002397
PRO-TAP 150-2700-20 dB-7/16(f)	20 dB	200002321
PRO-TAP 150-2700-30 dB-7/16(f)	30 dB	200002457
ACCESSORIES		
TB-39		200002565

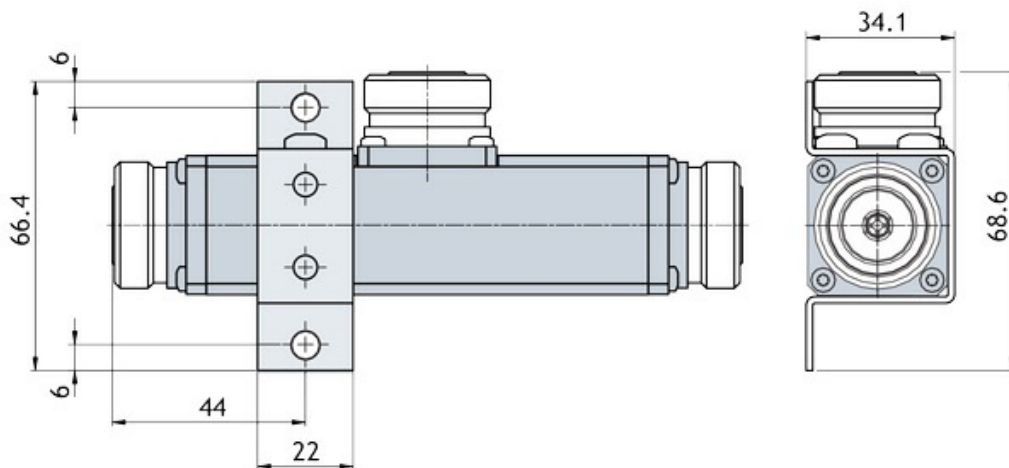
#### SPECIFICATIONS

ELECTRICAL							
MODEL	PRO-TAP 150-2700-... (dB)						
FREQUENCY	150 - 1550 MHz and 1675 - 2700 MHz						
COUPLING (dB)	4.8	6	8	10	15	20	30
COUPLING FLATNESS (dB)							
150 - 380 MHz	-0/+2	-0.5/+2.5	-0.5/+2	-0.5/+2	-0.5/+1.5	-1/+0.5	-3/+1
380 - 2700 MHz	±1	±1	±1	±1	±1	±1	-3/+2
PERCENTAGE OF SIGNAL AT THE COUPLED PORT	33%	25%	16%	10%	3%	1%	0.1%
PERCENTAGE OF SIGNAL AT THE MAIN LINE PORT	67%	75%	84%	90%	97%	99%	99.9%
THROUGH LOSS INCL. COUPLING LOSS	< 2.3	< 1.9	< 1.2	< 0.7	< 0.3	< 0.2	< 0.2
INPUT SWR	≤ 1.6	≤ 1.6	≤ 1.4	≤ 1.3	≤ 1.2	≤ 1.3	≤ 1.2
GROUP DELAY (Through)	< 0.6 ns						
GROUP DELAY (Coupled)	< 0.8 ns						
MAX. INPUT POWER	500 W						
IMPEDANCE	Nom. 50 Ω						
PIM 2X43 dBm	< -150 dBc						
COMPLIANCE	N-female: RoHS, IP 67 7/16 DIN (f): RoHS, IP 67						
MECHANICAL							
TEMP. RANGE	-30° C → +60° C						
CONNECTORS	N-female or 7/16 DIN-female						
DIMENSIONS (L x W x H)	145 x 33 x 51 mm / 5.71 x 1.30 x 2.01 in.						
WEIGHT	Approx. 550 g / 1.21 lb.						
MOUNTING	ø6.5 mm (two holes)						

MOUNTING DETAILS STANDARD BRACKET



MOUNTING DETAILS STANDARD BRACKET  
SIDE MOUNTING



ACCESSORIES: TB-39 BRACKET  
EXTRA HIGH

